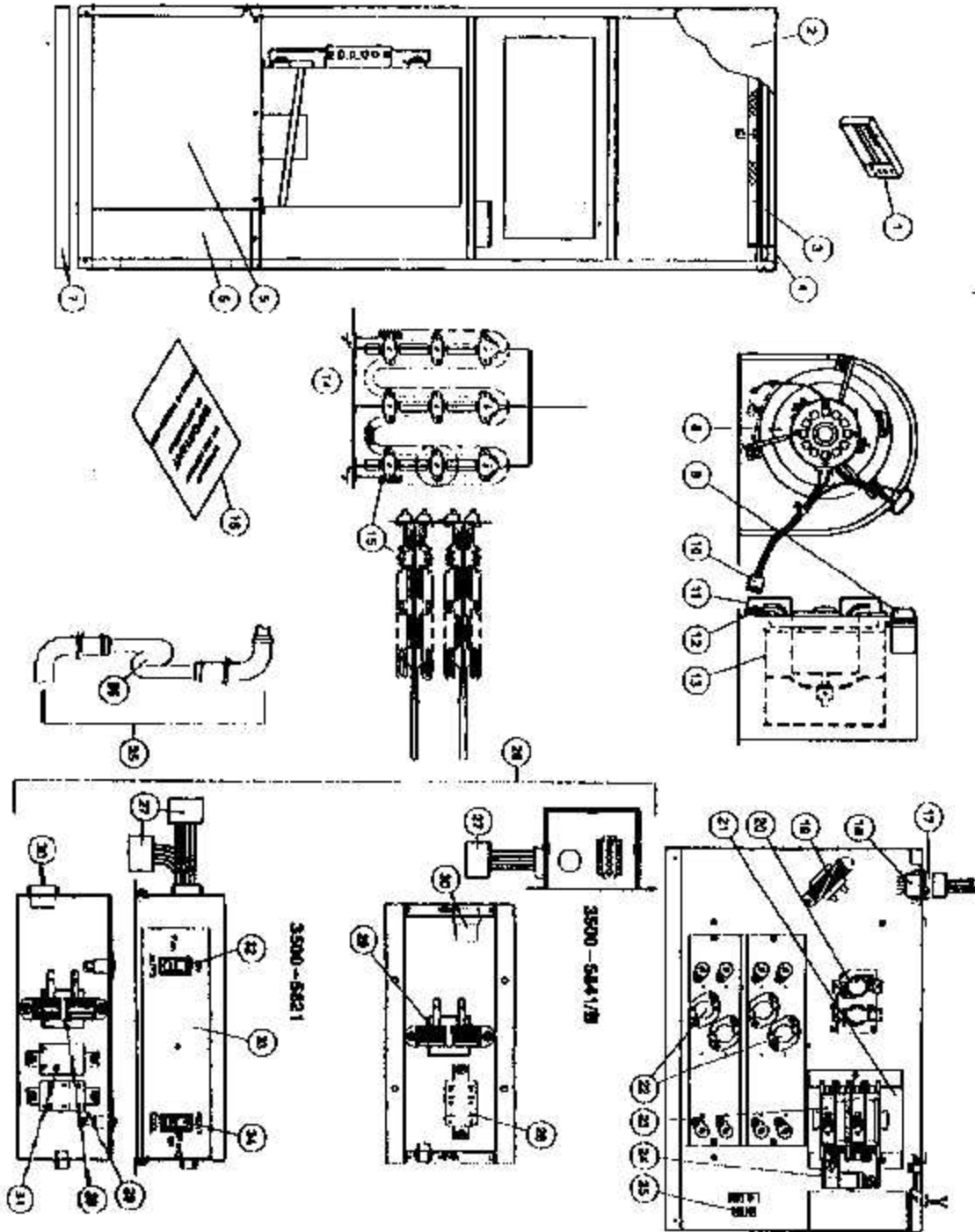


www.mhrv.com

COLEMAN Series EB Electric Furnace



Ref #	Part #	Description	# Req.	Models Used On
1	7700-3751	Thermostat (Heating 24v)	1	All
2	3500A4851	Front Panel	1	All
3	1214-2511	Filter (16 x 20 x 1)	1	All
4	3500-1861	Support Angle	1	All
5	3500-236 3500-235	Cover (Electric Box)	1	All (Except 10A) 10A
6	3500-127	Cover (Service Entrance)		All
7	3500-1071	Sub-Base	1	All
8	1468-243P	Blower Motor (230 V, 60 Hz, 3.2 Amps)	1	All
9	620271	Capacitor (7.5 Mfd 370 V)	1	All
10	3200-349	Blower Plug (without wires)	1	All
11	8680-5391	Motor Clamp	1	All
12	7670-3551	Motor Mount (Pkg of 3)	1	All
13	1472-2831	Blower Wheel (10-5/8 x 8)	1	All
14	3500-152	Heater Plate	1	10A, 12A
15	3500-4051	Heat Element (4.8 KW)	1	15A, 17A
	3500-4101	Heat Element (9.6 KW)	1	10A, 15A
	3500-4101	Heat Element (9.6 KW)	2	20A
	3500-4111	Heat Element (10.4 KW)	1	23A
	3500-4121	Heat Element (11.2 KW)	1	12A, 17A, 23A
16	1973-025	Customer Envelope	1	All
17	3500-5651	Wire Bundle	1	All
18	3110-3331	Continuous Fan Switch (10A)	1	All
19	3400-3841/A	Transformer (240v/24v 15 VA)	1	All
20	3110-3571	Sequencer	1	10A, 12A
	3115-3571			15A, 17A
	3120A3571			20A, 23A
21	3500-128	Bracket (Circuit Breaker)	1	All
22	7142-3091	Limit Switch (Open 150 Close 110)	2	10A, 12A
	7142-3091		3	15A, 17A
	7142-3091		4	20A, 23A
23	3500-3771	Circuit Breaker	2	All (Except 10A)
	3500-3771		1	10A
24	3500-3241	Buss Bar	2	All
25	1216-229	Ground Lug (Small)	1	All Except 10A, 12A
	1216-231	Ground Lug (Large)		All

www.mhrv.com

www.mhrv.com

Series EB Blowers

Ref #	Part #	Description	# Req.	Models Used On
26	3500-5821	Control Box	1	All
27	3500-6161	Connector Plug	1	All
28	3110-3301	Blower Relay (24v 50/60 Coil 6 Terminal)	1	All
29	3300-3861	Transformer	1	All
30	3200-348	Connector Cap	1	All
31	3110-3331	Thermostat Reversing Relay	1	All
32	3110-3331	Fan Switch	1	All
33	1539-179/A	Decal	1	All
34	3110--3321	System Switch	1	All
35	3824-301	Drain Hose Assembly)	1	All
36	3240-3051	Condensate Trap	1	All