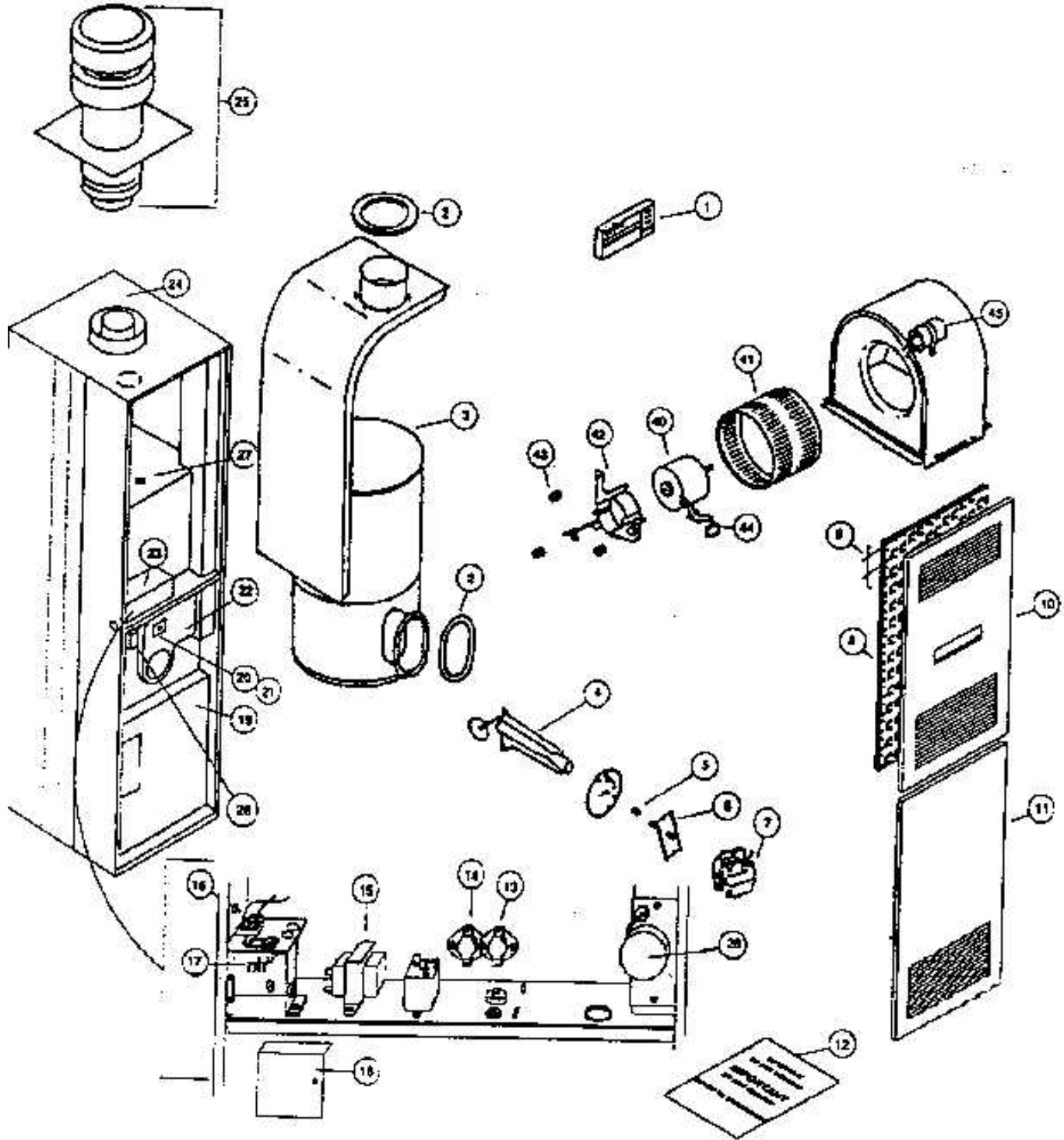


www.mhrv.com

COLEMAN Series DGRT Presidential

DGRT056AAA, DGRT070AAA, DGRT075AAA

First Production Serial #92120000



Ref #	Part #	Description	# Req.	Models Used On
1	7700-3571	Thermostat (Adj Ant.)	1	All
2	7945-3011	Gasket Pkg Heat Exchanger)	1	All
3	7956-5751 7966-5751	Heat Exchanger w/Gaskets	1	056 070, 075
4	7970-5771	Automatic Relight Burner Assembly	All	All
5	-	See Burner Chart For Orifice #	1	All
6	7945B5151	Valve Bracket (Less Orifice)	1	All
7	7956-336P	Gas Valve 24v .23 Amp Gas Valve 24v .50 Amp	1	All
8	7660-3401	Filter (10-3/8 x 35-3/4 x 1/4)	1	All
9	7970-3451	Filter Retainer (2/Pkg)	1	All
10	7956-5231	Panel (Upper)	1	All
11	7956-1571	Panel (Lower)	1	All
12	1973-029	Customer Envelope	1	All
13	7945-3281 7970-3281	Limit Switch (Open 140 Close 110) Limit Switch (Open 145 Close 115)	1	056 070, 075
14	7975-3281	Fan Switch (Close 110 Open 90)	1	All
15	7945-3551	Transformer (115 - 24V 15VA)	1	All
16	7945-5551	Connector Cap Assy w/Wires	1	All
17	7681-3301	Switch (Rocker On/Off)	1	All
18	7956-112	Junction Box Cover	1	All
19	7656A5201	Panel (Coil Cavity 19-13/16")	1	All
20	7706-5251	Observation Plate w/Gasket	1	All
21	7706-3251	Gasket (Observation Plate)	1	All
22	7945-114	Air Box Lower	1	All
23	7945A1351	Cover (Control Box)	1	All
24	7945A5721	Casing Top	1	All
25	-	Roof Jack	1	All
26	7956-5771	Combustion Air Damper	1	070, 075
27	7624A3591	Upper Limit Switch (0-180 Manual Reset)	1	All
28	7970-378P	Re-Ignitor Module	1	All

Blower Parts

Ref #	Part #	Description	# Req.	Models Used On
40	7966-311P	Motor (1/6 HP - 1100RPM - 8.2 A)	1	All
41	1472-2751	Blower Wheel (10-5/8 Dia x 7-1/8 x 1/2)	1	All
42	7670-5391	Motor Clamp	1	All
43	7670-3551	Motor Mount (3/Pkg)	1	All
44	7680-348	Connector Plug	1	All
45	-	Run Capacitor	1	All

Burner Orifice Chart #16

	Nat	LP	# Req.	Models Used On
16	9951-1281	9951-0821	1	056
16	9951-1491	9951-0931	1	070
16	9951-1541	9951-0961	1	075