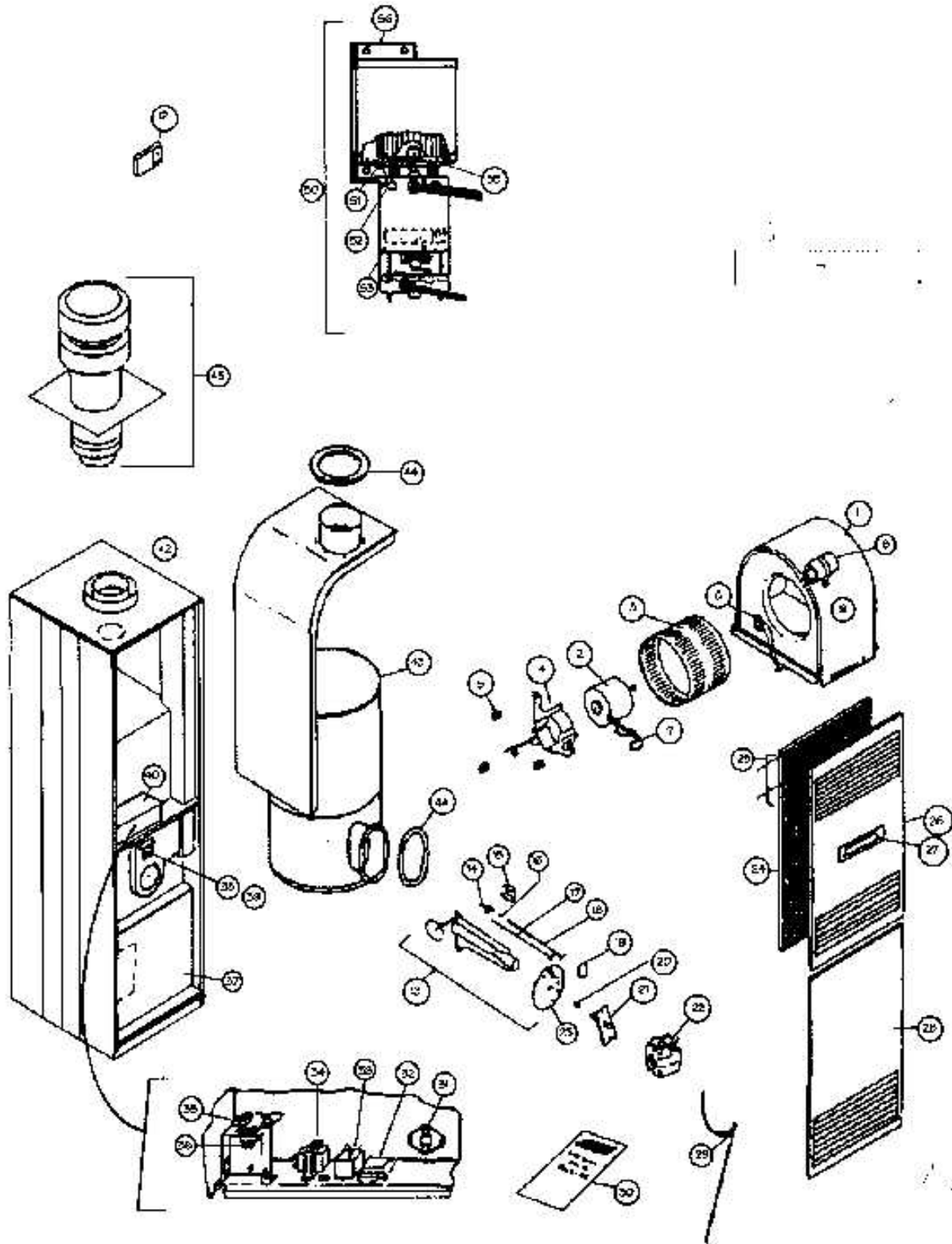


www.mhrv.com

COLEMAN Series 7900B Presidential III

7956B, 7966B, 7970B, 7975B, 7995B



Ref #	Part #	Description	# Req.	Models Used On
1-11	Blower Parts	See Blower Parts Table		
12	7656-3951	Thermostat (Adj Ant)	1	All
13	7956A5851	Burner Assy (Less Gas Valve)	1	All
14	9880-0161	Pilot Burner (w/Pilot Spud)	1	All
15	7945-1701	Pilot Shield	1	All
17	2631-3481	Thermocouple 24"	1	All
18	7945-1671	Pilot Tube (1/4" Steel)	1	All
19	7945-166	Seal Plate	1	All
20	-	See Burner Orifice Chart	1	All
21	7945B5151	Valve Bracket (Less Orifice)	1	All
22	7656-3561	Gas Valve (24V .23 Amp)	1	All
23	7945-1631	Mounting Plate (w/Gasket)	1	All
24	7660-3401	Filter (19-3/8 x 35-3/4 x 1/4)	1	All
25	7670-3451	Filter Retainer	1	All
26	7956-5231	Panel (Upper) 7670B5231	1	All
27	1539-127	Coleman Decal	1	All
28	7956-1571	Panel (Lower) 7670A1571	1	All
29	7660-190	Lighter Rod (w/Chain)	1	All
30	1972F461	Customer Envelope	1	All
31	7945-3281 7970-3281 7995-3281	Limit Switch (Lower 0-140 Close 110) Limit Switch (Lower 0-145 Close 115) Limit Switch (Lower 0-150 Close 120)	1	7956B 7966,B, 7970B, 7975B 7995B
32	7956-3781	Blower Control (On delay 45 sec. replaces 7956-377)	1	All
33	8665-5781	Booster Relay (24V SPST 4 Terminals)	1	7995B
34	7945-3551	Transformer (115 - 24V - 115 VA)	1	All
35	7945B555	Connector Cap Assy	1	All
36	7681-3301	Switch (Rocker On-Off)	1	All
37	7656B1861	Panel (Coil Cavity 19-13/16")	1	All
38	7706C5491	Observation Plate (w/Gasket)	1	All
39	7706A3171	Gasket (Observation Plate)	1	All
40	7945A1351	Cover (Control Box)	1	All
42	7945A5721	Casing Top	1	All
43	7956-5751 7966-5751 7995-5761	Heat Exchanger (w/Gaskets)	1	7956B 7966B, 7970B, 7975B 7995B
44	7945-3011	Gasket Package (Heat Exchanger)	1	All
45	-	Roof Jack	1	All
50	7995-6451	Booxter Assy (Includes 51 thru 56)	1	7995B
51	8866-3611	Impellor (3-13/16 x 1-7/8 x 3/8)	1	7995B
52	8865B1281	Motor Mount (Rubber 4/Pkg)	1	7995B
53	7995-3169	Booster Motor (3000 RPM)	1	7995B
55	8865A1471	Mount Plate	1	7995B
56	7995A386	Booster Gasket	1	7995B

Blower Parts - Heat Only

Ref #	Part #	Description	# Req.	Models Used On
1	7945A530 7966A530 7995A530	Scroll	1	7956B 7966B, 7970B, 7975B 7995B
2	7945-3119 7966-3119 1468-2129	Motor 1/10 HP 880 RPM 4.0 Amp Motor 1/8 HP 1100 RPM 8.2 Amp Motor 1/4 HP 1050 RPM 6.0 Amp	1	7956B 7966B, 7970B, 7975B 7995B
3	1472-2791 1472-2751 1472-2751	Blower Wheel 9-1/2 D - 7-1/8 - 1/2 Bore Blower Wheel 10-5/8 D - 7-1/8 - 1/2 Bore Blower Wheel 10-5/8 D - 7-1/8 - 1/2 Bore	1	7956B 7966B, 7970B, 7975B 7995B
4	7670-5391 7670-3551 7670-3591	Motor Clamp	1	7956B 7966B, 7970B, 7975B 7995B
5	7670-3551	Motor Mount	1	All
6	7624A3591 7621A3591 7621A3591	Limit Switch Upper Manual Reset Open 180 Limit Switch Upper Manual Reset Open 180 Limit Switch Upper Manual Reset Open 180	1	7956B 7966B, 7970B, 7975B 7995B
7	7680-348	Connector Plug	1	All
8	1499-4460	Run Capacitor 7.5 Mfd 370 V	1	7995B

Burner Orifice Chart #20

	Nat	LP	# Req.	Models Used On
20	9951-1281	9951-0821	1	7956B
20	9951-1401	9951-0891	1	7966B
20	9951-1491	9951-0931	1	7970B
20	9951-1541	9951-0961	1	7975B
20	9951-1801	9951-1061	1	7995B

www.mhrv.com

COLEMAN Series 7900B Presidential III