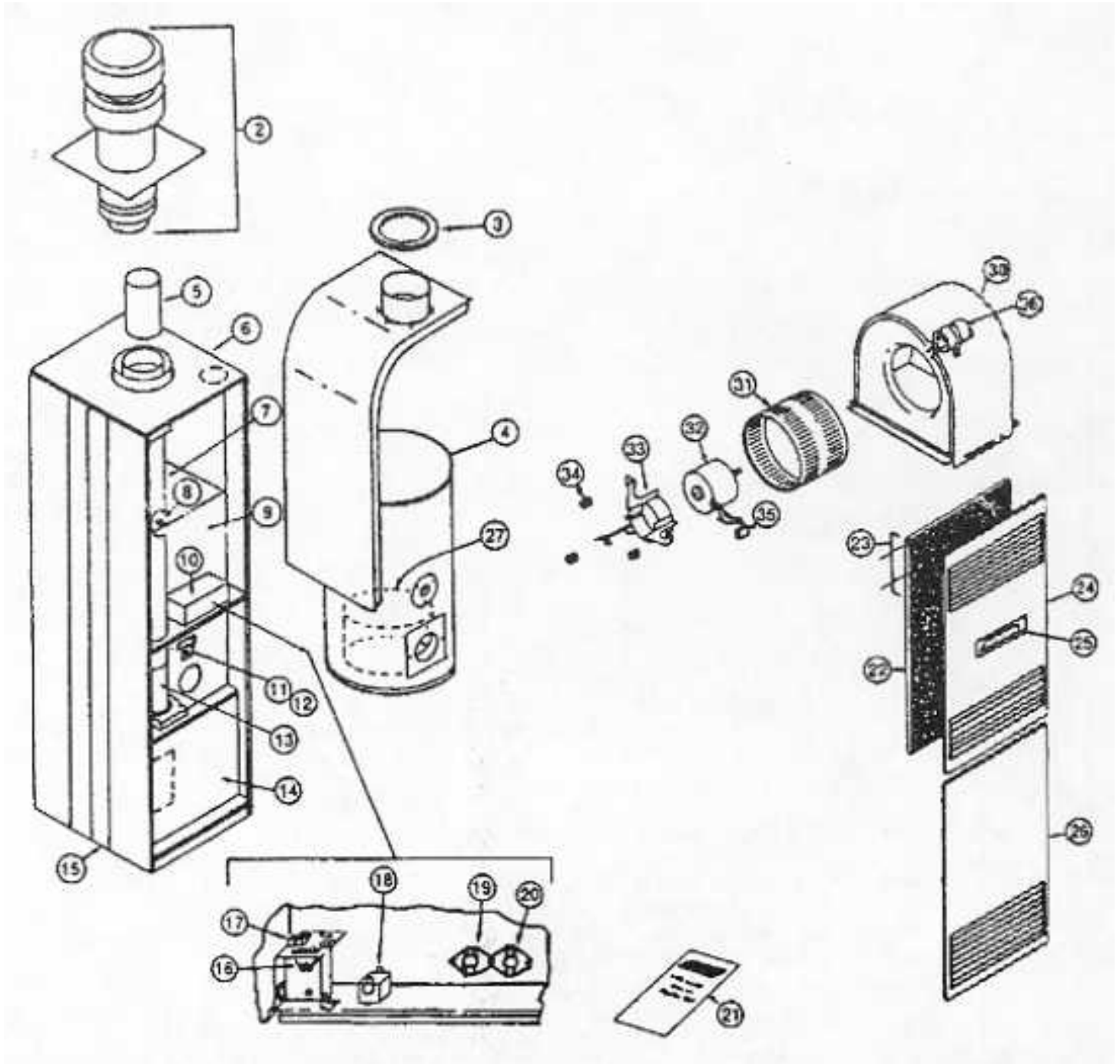


# COLEMAN Series 4066, 4084 Presidential Gun

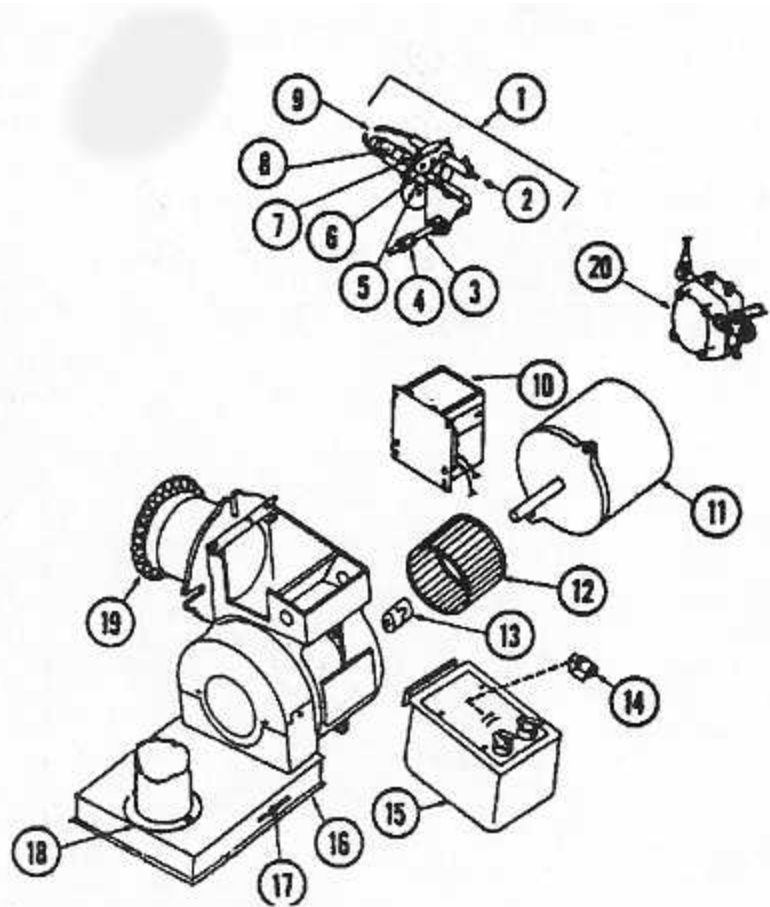
4066  
4084



Ref #	Part #	Description	# Req.	Models Used On
1	7700-3751	Thermostat (Adj Ant.)	1	All
2		Roof Jack - See Separate Catalog Listings	1	All
3	7945-3011	Gasket-Heat Exchanger	1	All
4	4084-5751	Heat Exchanger (With Gaskets)	1	All
5	4084-160	Flue Shield	1	All
6	4084-5051	Casing Top	1	All
7	4084A100	Combustion Air Tube (Upper)	1	All
8	7624A3591	Limit Switch (Upper - Open 180 Manual Reset)	1	All
9	4084A-01	Vestibule	1	All
10	7945-1351	Cover (Control Box)	1	All
11	7706B5491	Observation Plate (with Gaskets)	1	All
12	7706A3171	Gasket (Observation Plate)	1	All
13	4084A504	Combustion Air Tube (Lower)	1	All
14	7656A5201	Panel (Coil Cavity 19-13/16")	1	All
15	4084-585	Casing Assembly	1	All
16	7681-3301	Switch (On - Off)	1	All
17	4084-507	Connector Cap (with wires-control box)	1	All
18	4084-3101	Receptacle (Polarized)	1	All
19	7956-3351	Fan Switch (Close 105 Open 85)	1	All
20	7995-3281	Limit Switch (Lower Open 150 Close 120)	1	All
21	1972-794	Customer Envelope	1	All
22	7660-3401	Filter (19 3/8 x 35 3/4 x 1/4) & Retainer	1	All
23	7670-3451	Filter Retainer	1	All
24	7670A5231	Panel (Upper)	1	All
25	1539-1261	Coleman Decal	1	All
26	7670A5241	Panel (Lower)	1	All
27	4084-5141	Fire Box	1	All
		<b>BLOWER PARTS</b>		
30	7966A530	Scroll	1	All
31	1472-2751	Blower Wheel (10-5/8 D x 7-1/8 x 1/2)	1	All
32	7966-3119	Motor (1/6 HP - 1100 RPM - 8.2 A)	1	4066
	1468-2129	Motor (1/4 HP - 1050 RPM - 10.0 A)	1	4084
33	7670-6391	Motor Clamp	1	All
34	7670-3551	Motor Mount (3/Pkg)	1	All
35	7680-348	Connector Plug	1	All
36	1499-4461	Run Capacitor (7.5 MFD 370 V)	1	4084

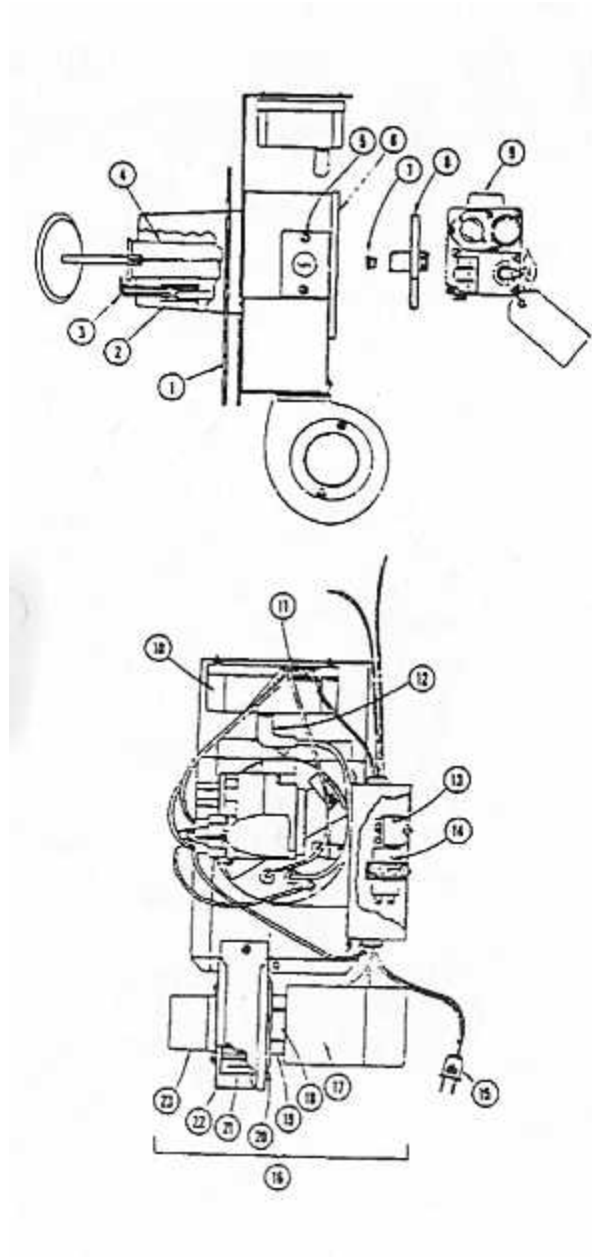
4066-3861 Wayne Oil Burner  
 66,000 BTU Input  
 52,500 BTU Output

4084-3861 Wayne Oil Burner  
 84,000 BTU Input  
 67,000 BTU Output



Ref #	Part #	Description	# Req.	Models Used On
1	8880-4151	Drawer Assy (Less Nozzle)	1	All
2	8880-4161	Electrode - Each (with Buss Bar)	2	All
3	8880-422	Oil Pipe	1	All
4	8880-423	Oil Pipe Fitting	1	All
5	8880-419	Insulator Bushing	2	All
6	8880-4181	Electrode Support	1	All
7	8880-420	Baffle Plate	1	All
8	8880-421	Nozzle Adapter	1	All
9	4066-3251 8880-4241	Nozzle (.50 80 Hollow) Nozzle (.65 80 Hollow)	1	4066 4084
10	8866-4041	Primary Control (24v)	1	All
11	8880-4139	Motor	1	All
12	8880-4141	Impellor (4.17 D 3.13 Wide)	1	All
13	8880-4011	Coupling (Pump to Motor)	1	All
14	8880-4111 8880-4121	Flame Detector - Must match Primary	1	All
15	8880-4041	Transformer (10,000 V.AC)	1	All
16	4084-5081	Air Chute & Damper Assembly	1	All
17	4084-509	Damper	1	All
18	8680-3061	Air Chute Gasket	1	All
19	8880-4021	Gasket (Mounting Flange)	1	All
20	8866-4021	Fuel Pump (1 Stage)	1	All

4066, 4084 Series Gas Gun



4066, 4084 Series Gas Gun

Ref #	Part #	Description	# Req.	Models Used On
1	4066-3721	Gasket (Burner Mounting)	1	All
2	7995A1151	Mount Bracket (Electrode)	1	All
3	7995-3061	Electrode	1	All
4	4066-5541	Burner Assy (less gas valve)	1	All
5	4066-5531	Observation Cover	1	All
6	7945-1631	Mounting Plate (Burner)	1	All
7	9951-1521 9951-0931 9951-1691 9951-1011	Burner Orifice (.152 Dia - Nat) Burner Orifice (.093 Dia - LP) Burner Orifice (.169 Dia - Nat) Burner Orifice (.101 Dia - LP)	1	4066 4066 4084 4084
8	7945B5151	Valve Bracket	1	All
9	7707-3261	Gas Valve (24v .23 Amp 1/2" x 3/8")	1	All
10	7995-3081	Ignition Module (24v 100MA 50/60 Hz)	1	All
11	4084-5711	Edge Connector	1	All
12	7705-3071	High Tension Wire	1	All
13	8665-5701	Relay (Booster 8665-309)	1	All
14	7945-3551	Transformer (115/24 v 15 va)	1	All
15	4066-3711	Plug Assy	1	All
16	4066-5511 4084-5621	Booster Assy (Includes 17 thru 23)	1	4066 4084
17	7995-3169	Motor (115v .48A 3000 rpm)	1	All
18	7700-305	Gasket (Motor)	1	All
19	8865B1281	Motor Mount - Rubber (4/Pkg)	1	All
20	8865A1471	Mount Plate (Motor)	1	All
21	8865-3611	Impellor (3-13/16 x 1-7/8 x 5/16 Bore)	1	All
22	4066-552 4084-563	Scroll	1	4066 4084
23	4066-559	Combustion Air Tube	1	All